

MACCHINE SPECIALI SRL

Via Remo Brambilla, N°2
20863 Concorezzo (MB)
Milano - Italy

Tel. + 39 039 6040490
Fax + 39 039 6049961

E-mail: macchinespeciali@macchinespeciali.it
Internet: <http://www.macchinespeciali.it>

rif. 5.0630.3



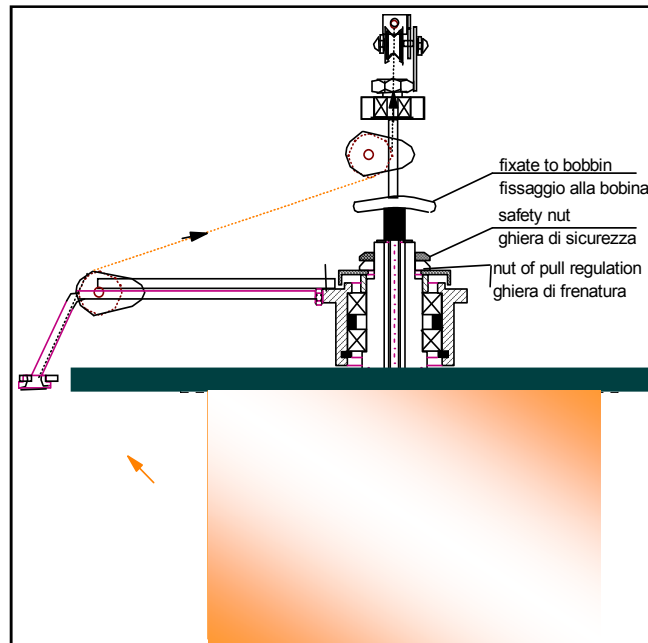
FLYER mod. "STANDARD DOUBLE ARM"

PRODUCTS

MULTIWIRE

min. 6 x 0.10

max. 12 x 0.20



BOBBINS

400 DIN

630 DIN

800 DIN

Hole Bobbin
from 30 to 200 mm.
Standard hole
127 mm. (5")



- MAXIMUM SPEED 600 m/min.
- TENSION 0.4-2 daN (400 - 2000 gr.)
- LOW INERTIA - MINIMUM MAINTENANCE REQUIRED
- GRADUATED DEVICE FOR BRAKING SET-UP