



MACHINE SPECIALI SRL

Via Remo Brambilla, N°2
20863 Concorezzo (MB)
Milano - Italy
Tel. ++ 39 039 6040490
Fax ++ 39 039 6049961
E-mail: macchinespeciali@macchinespeciali.it
Internet: <http://www.macchinespeciali.it>

rif. 5.0400.2



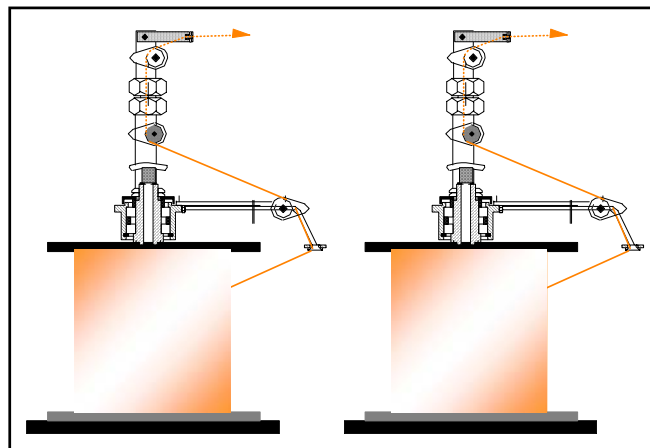
FLYER "FINE WIRE" PAY-OFF

PRODUCTS

SINGLE WIRES
from 0.10 to 0.50 mm.

MULTIWIRE
min. 8 x 0.05
max. 12 x 0.20

It has been designed to
unwind single wire and
multiwire with small
cross sections.



BOBBINS

R2
R3
R4
400 DIN

Hole bobbin
from 30 to 200 mm.
Standard hole
127 mm. (5")



- MAXIMUM SPEED 300 m/min.
- TENSION 0.5-3 N (50-300 gr.)
- LOW INERTIA - MINIMUM MAINTENANCE REQUIRED