



MACHINE SPECIALI SRL

Via Remo Brambilla, N°2
20863 Concorezzo (MB)
Milano - Italy
Tel. ++ 39 039 6040490
Fax ++ 39 039 6049961
E-mail: macchinespeciali@macchinespeciali.it
Internet: <http://www.macchinespeciali.it>

rif. 5.0400.1



FLYER “ STATIC BY STATIC ” PAY-OFF

PRODUCTS

It has been designed to separate multiwire bunches coming from static spooler of multiwire drawing machines.



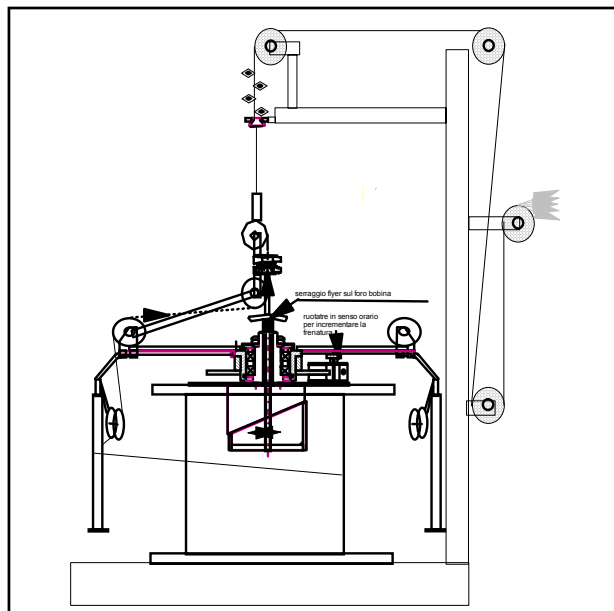
BOBBINS

630 DIN
800 DIN

DIN 46395

Bobbin hole size
from 30 to 200
mm.

Standard hole
127 mm. (5")



- MAXIMUM SPEED 300 m/min.
- TENSION 0.5-2 daN (500 - 2.000 gr.)
- IT IS POSSIBLE DEVIDE THE MULTI WIRE BUNCH IN SINGLE WIRE WITH THE BOBBIN WINDED WITH THE STATIC COILER